

MATSUKAYA PTE LTD

***1-Phase 3-Wire
Electronic
kWh Meter***

Series SE151

**Latest Technology to
achieve:**

- ⇒ IEC Class 1.0 & 2.0
- ⇒ Light weight
- ⇒ Anti-tampering
- ⇒ Low cost
- ⇒ Display adaptability
- ⇒ Communication flexibility



Your Reliable Partner

SE151 Electronic 1-Phase 3-Wire kWh Meter

Application:

The SE151 series are housed in an extremely compact case for the residential metering segment. It offers two ways to read, manage and control energy information. The SE151 has LCD display but is also available with electro-mechanical register as a low cost option. It is a very cost-effective choice for residential and light commercial application.

Measuring and accuracy

- High accuracy of IEC standards, class 1.0 and class 2.0
- Measurement of active (kWh), total / separated energy registers for import and export

Advanced features and functions

- Nonvolatile memory for energy data storage
- Large and easy to read LCD display (optional)
- Electro-mechanical register for low cost implementation (optional)
- Low power consumption and long life operation
- Polycarbonate case and IP52 protection

Security and tamper-proof

- Reverse energy flow detection with LED indication alarm (optional)
- Two loops measuring for anti-tamper (optional)
- Advanced measurement technology that is immune to magnetic tampering
- Independent sealing of the meter body and terminal cover

Interface and Communication

- DIN-S0 Pulse output for kWh, high-energy LED indication for accuracy test
- Data readout by optical port according to IEC 62056-21
- IEC61107 protocol support (Optional)
- RS-485 communication capability (Optional)



Matsukaya Pte Ltd
160 Pay a Lebar Rd #08-09
Orion@Pay aLebar
Singapore 409022

Tel: (65) 68460300
Fax: (65) 68460355
E-mail: sales@matsukaya.com
Website: www.matsukaya.com



CERT NO.: 2000-2-1182
88 890 801 2034

SE151 Electronic 1-Phase 3-Wire kWh Meter

Technical Specification:

Description	Unit	10(60)A	10(100)A
Standard		IEC 62052-11, IEC 62053-21, IEC 60529	
Accuracy		Better than $\pm 0.5\%$ (actual) Active: Class 1.0 to IEC 62053-21 Class B to EN 50470-3 (MID)	
Reference Voltage(Un)	V	110V / 220V (-30% +20%)	
Basic Current*	A	10	10
Maximum Current*	A	60	100
Measurement		Active (kWh) Forward & Reverse	
Meter Constant	imp/kWh	800 / 1600	
Reference Frequency (fn)	Hz	50 / 60 ($\pm 5\%$)	
Voltage Circuit consumption at Un	W VA	<1 2.5	
Current Circuit consumption at Ib	VA	<0.25 @ I _{max}	
Starting Current	%I _b	0.4	
Creeping (no current)		No more than one pulse measured	
Immunity to impulse surges		> 8kV (1.2/50 μ S impulse)	
Insulation strength		4kV 50Hz for 1 minute	
Display		LCD Digit size of value field: 4mm x 8mm (Optional) Electro-mechanical Register: 6 digits (Optional)	
Communication Interface		Optical Interface: 4800 bps to IEC62056-21 (optional) RS485 Interface: 9600 bps (optional)	
Rated Working temperature	$^{\circ}$ C	-25 ~ +70	
Storage & transport temperature	$^{\circ}$ C	-40 ~ +70	
Endosure		Polycarbonate. IP52 according to IEC 60529	
Weight	Kg	~ 0.8	

* Other current ratings are available on request.



Matsukaya Pte Ltd
160 Pay a Lebar Rd #08-09
Orion@Pay aLebar
Singapore 409022

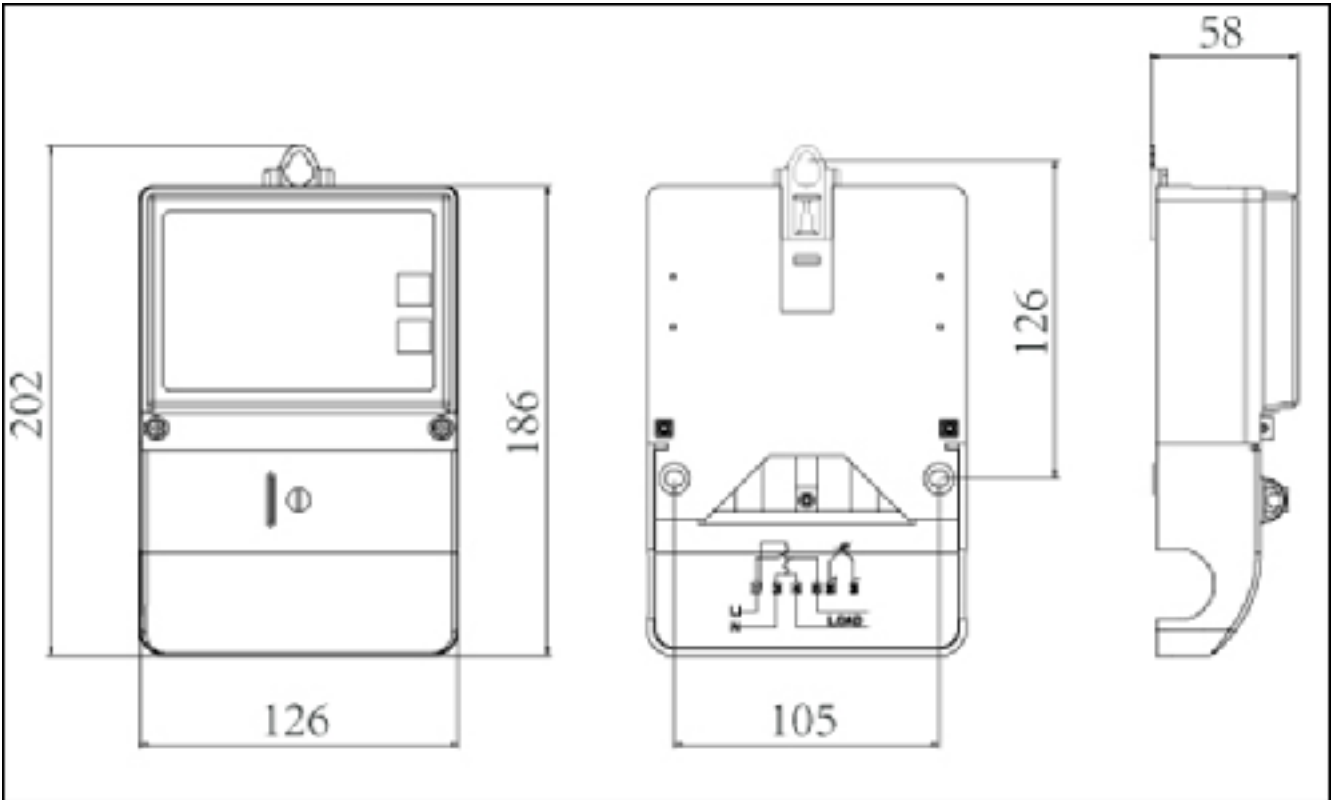
Tel: (65) 68460300
Fax: (65) 68460355
E-mail: sales@matsukaya.com
Website: www.matsukaya.com



CERT NO: 2000-2-1102
88 890 801 2034

SE151 Electronic 1-Phase 3-Wire kWh Meter

Dimensions



Dimensions (mm) for reference only.
Do not use it for construction.



Matsukaya Pte Ltd
160 Pay a Lebar Rd #08-09
Orion@Pay aLebar
Singapore 409022

Tel: (65) 68460300
Fax: (65) 68460355
E-mail: sales@matsukaya.com
Website: www.matsukaya.com

