

MATSUKAYA PTE LTD

Electronic Single-Phase kWh Meter

Series SE150



Latest Technology to achieve:

- ⇒ High Accuracy
- ⇒ Efficient Design
- ⇒ Anti-tampering
- ⇒ Cost Effectiveness



Your Reliable Partner

SE150 Electronic 1-Phase Meter

Application

Series SE150 1-Phase Electronic Meter is manufactured using the latest SMT technology. Due to its low cost design, it is very suitable for use in domestic installation under hot humid tropical environment.

Characteristic

Its main advantages are:

- ⇒ Anti-tampering & Fraud Protection features
- ⇒ High precision
- ⇒ Low power consumption
- ⇒ Small and light
- ⇒ Stable and Long life
- ⇒ Glass cover

Working Principle

When load is connected, current passes through a transformer or a shunt. The secondary current is then sampled and digitized. A processor is used to calculate the final measured results e.g. energy. Various registers are used to store calculated results. Display is available in mechanical register or LCD. Option is available for automatic reading.

Anti-tampering features

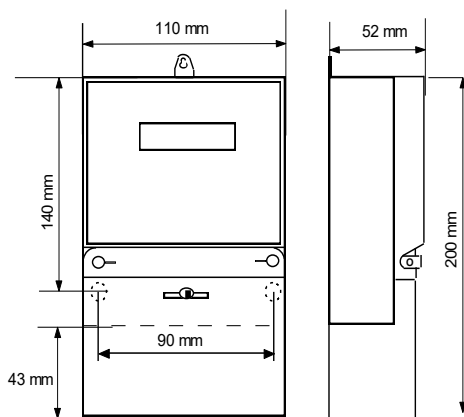
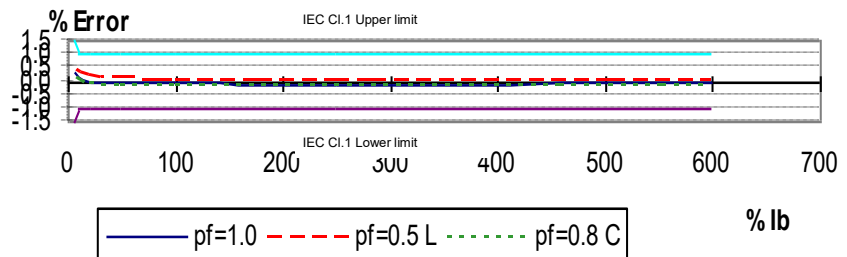
These include, as an options and subject to needs:

- ⇒ Reverse current measurement
- ⇒ Phase & Neutral reversal
- ⇒ Load and supply interchange
- ⇒ Load through Earth
- ⇒ Load through Earth irrespective to Phase / Neutral connection (optional extra)

Technical Data

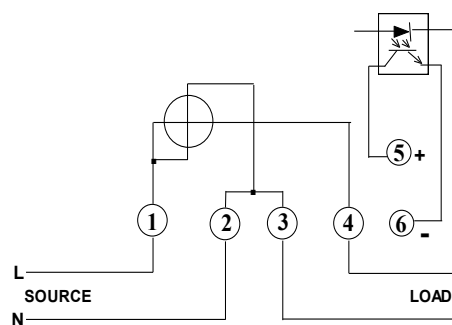
Specification / Technical detail	Compliance / Value
Accuracy	Class 1.0 S
Standards	IEC 62052-11, IEC 62053-21
Rated Current	2.5(10)A, 2(20), 5(30), 10(40), 5(80), 10(60), 20(80), 10(100)A
Rated Voltage & Frequency	220 / 230 / 240 V 50 / 60 Hz
Voltage variation	-20 +15% U _o
Surge voltage withstand	6 kV
Insulation test voltage	2 kV
Electromagnetic Compatibility	10 V/m over 27 ~ 500 MHz
Housing material	Polycarbonate
Environment	Tropical

Typical Error curves



DIMENSION DRAWING

(Dimensions subject to change)



CONNECTION DIAGRAM



Matsukaya Pte Ltd
160 Paya Lebar Rd
#08-09 Orion@PayaLebar
Singapore 409022

Tel: (65) 68460300
Fax: (65) 68460355
E-mail: sales@matsukaya.com
Website: www.matsukaya.com
8-6-2017

